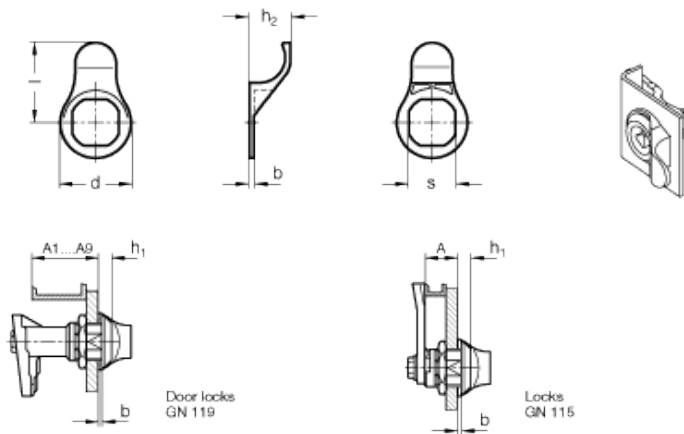


GN 320

Opening handles



technical informations

Material

Polyamide based (PA) technopolymer.

Colour

Black, matte finish.

Features and applications

Opening handles GN 320 are suitable for locks, GN 115, GN 119 and GN 315.1.

Standard Elements	Main dimensions						For locks	Weight
	d	s	b	h ₁	h ₂	l		
GN 320-31	31	20.5	2	6	18	35	GN 115 Type DK, VK7, VK8, VDE, SC	3
GN 320-35	35	20.5	2	8	18	36	GN 119 Type DK, VK7, VK8, VDE, GN 315.1	4



STANDARD MACHINE ELEMENTS WORLDWIDE