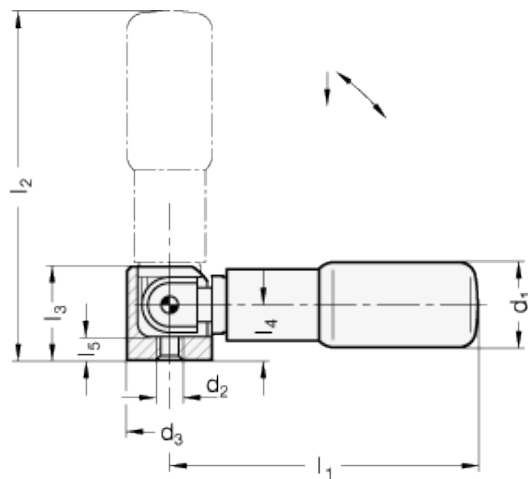


# GN 798.7

Safety fold-away handles



## technical informations

### Handle

Polyamide-based (PA) technopolymer.

### Colour

Black, matte finish.

### Stud

Black-oxide steel.

### Flat base

Black-oxide steel.

### Features and applications

Handle pivots freely during operation: a system of coaxial bushes compensates return spring load. When releasing the handle, the spring returns it back to the retracted position.

GN 798.7 safety fold-away handles are suitable when the handle must not remain in the operating position. In order to bring the handle into the operating position it has to be turned first through 90° to a stop against a torsion spring and then it has to be pushed against spring pressure into its hold position. By maintaining the forward thrust on the handle, the handwheel can easily be rotated.

### *Ergonomy and design*

Typical in design is the stepped shape consisting of two cylinders giving the operator a better grip.

Standard Elements	Main dimensions						Mounting holes		Weight
Description	d <sub>1</sub>	d <sub>3</sub>	l <sub>1</sub>	l <sub>2</sub>	l <sub>3</sub>	l <sub>4</sub>	d <sub>2</sub>	l <sub>5</sub>	g
GN 798.7-KT-22	22	20	73	82	22	13	M6	5.5	81
GN 798.7-KT-24	24	20	88	97	22	13	M6	5.5	91
GN 798.7-KT-25	25	20	98	107	22	13	M6	5.5	101



STANDARD MACHINE ELEMENTS WORLDWIDE