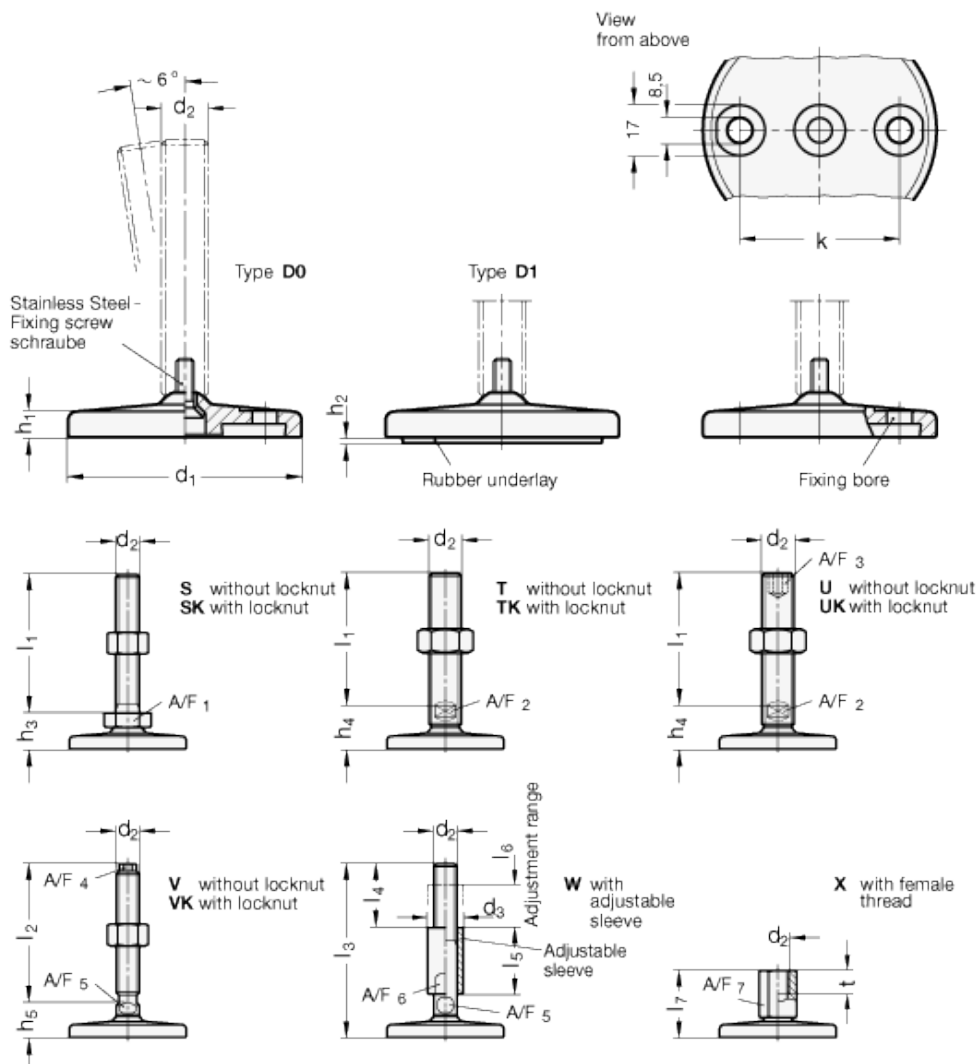


GN 23

Stainless Steel-Levelling feet



INOX
Stainless Steel





technical informations

Specification

Type (Base plate)

- Type DO: fine turned, without rubber underlay
- Type D1: fine turned, with rubber underlay, inlaid, black

Version

- Version S: without nut, external hexagon at the bottom
- Version SK: with nut, external hexagon at the bottom
- Version T: without nut, Wrench flat at the bottom, "not dipping" version
- Version TK: with nut, Wrench flat at the bottom, "not dipping" version
- Version U: without nut, Hexagon socket at the top, Wrench flat at the bottom
- Version UK: Hexagon socket at the top, Wrench flat at the bottom
- Version V: without nut, External hexagon at the top, Wrench flat at the bottom
- Version VK: with nut, External hexagon at the top, Wrench flat at the bottom
- Version W: with adjustable sleeve, Hygienic Version, Wrench flat at the bottom
- Version X: with female thread, External hexagon

Base plate

Stainless Steel AISI 303

Threaded stem

Stainless Steel AISI 303

Hexagon nut ISO 4032

Stainless Steel AISI 304

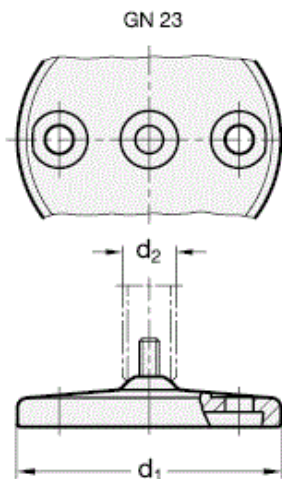
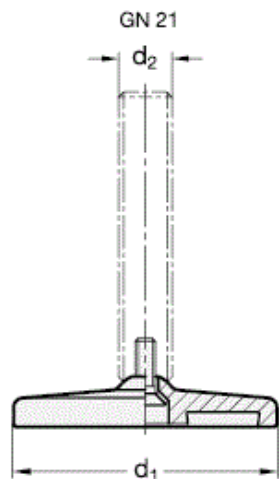
Rubber underlay, inlaid

Perbunan ® (NBR), 70 Shore A

Information

Stainless Steel-Levelling elements GN 23 will be delivered mounted and are not removable.

Load rating of Stainless Steel-Levelling feet GN 23



d ₁	d ₂	Static load in kN				
		Versions of threaded stem				
		S / SK	T / TK and U / UK	V / VK	W	X
80	M 8	6	-	-	-	17
80	M 10	11	-	-	-	17
80	M 12	16	-	-	-	17
80	M 16	-	17	21	25	17
80	M 20	-	28	35	35	28
80	M 24	-	46	52	52	-
100	M 8	6	-	-	-	17
100	M 10	11	-	-	-	17
100	M 12	16	-	-	-	17
100	M 16	-	17	21	25	17
100	M 20	-	28	35	35	28
100	M 24	-	46	52	52	-
120	M 20	-	28	-	-	-
120	M 24	-	46	-	-	-
120	M 30	-	43	-	-	-

Standard Elements	Main dimensions								Weight
	Description	d ₁	d ₂	l ₁	k	h ₁	h ₂	h ₃	
GN 23-80-M8-40-D0-S*	80	M8	40	54.5	8.5	-	19.5	17	-
GN 23-80-M8-40-D1-S*	80	M8	40	54.5	8.5	2	19.5	17	-
GN 23-80-M8-50-D0-S*	80	M8	50	54.5	8.5	-	19.5	17	-
GN 23-80-M8-50-D1-S*	80	M8	50	54.5	8.5	2	19.5	17	-
GN 23-80-M8-63-D0-S*	80	M8	63	54.5	8.5	-	19.5	17	-
GN 23-80-M8-63-D1-S*	80	M8	63	54.5	8.5	2	19.5	17	-
GN 23-80-M10-50-D0-S*	80	M10	50	54.5	8.5	-	19.5	17	-
GN 23-80-M10-50-D01-S*	80	M10	50	54.5	8.5	2	19.5	17	-
GN 23-80-M10-60-D0-S*	80	M10	60	54.5	8.5	-	19.5	17	-
GN 23-80-M10-60-D1-S*	80	M10	60	54.5	8.5	2	19.5	17	-
GN 23-80-M10-80-D0-S*	80	M10	80	54.5	8.5	-	19.5	17	-
GN 23-80-M10-80-D1-S*	80	M10	80	54.5	8.5	2	19.5	17	-
GN 23-80-M10-100-D0-S*	80	M10	100	54.5	8.5	-	19.5	17	-
GN 23-80-M10-100-D1-S*	80	M10	100	54.5	8.5	2	19.5	17	-
GN 23-80-M12-60-D0-S*	80	M12	60	54.5	8.5	-	19.5	17	-

GN 23-80-M12-60-D1-S*	80	M12	60	54.5	8.5	2	19.5	17	-
GN 23-80-M12-80-D0-S*	80	M10	100	54.5	8.5	-	19.5	17	-
GN 23-80-M12-80-D1-S*	80	M12	80	54.5	8.5	2	19.5	17	-
GN 23-80-M12-100-D0-S*	80	M12	100	54.5	8.5	-	19.5	17	-
GN 23-80-M12-100-D1-S*	80	M12	100	54.5	8.5	2	19.5	17	-
GN 23-80-M12-125-D0-S*	80	M12	125	54.5	8.5	-	19.5	17	-
GN 23-80-M12-125-D1-S*	80	M12	125	54.5	8.5	2	19.5	17	-
GN 23-100-M8-40-D0-S*	100	M8	40	70.5	9	-	20.5	17	-
GN 23-100-M8-40-D1-S*	100	M8	40	70.5	9	3	20.5	17	-
GN 23-100-M8-50-D0-S*	100	M8	50	70.5	9	-	20.5	17	-
GN 23-100-M8-50-D1-S*	100	M8	50	70.5	9	3	20.5	17	-
GN 23-100-M8-63-D0-S*	100	M8	63	70.5	9	-	20.5	17	-
GN 23-100-M8-63-D1-S*	100	M8	63	70.5	9	3	20.5	17	-
GN 23-100-M10-50-D0-S*	100	M10	50	70.5	9	-	20.5	17	-
GN 23-100-M10-50-D1-S*	100	M10	50	70.5	9	3	20.5	17	-
GN 23-100-M10-60-D0-S*	100	M10	60	70.5	9	-	20.5	17	-
GN 23-100-M10-60-D1-S*	100	M10	60	70.5	9	3	20.5	17	-
GN 23-100-M10-80-D0-S*	100	M10	80	70.5	9	-	20.5	17	-
GN 23-100-M10-80-D1-S*	100	M10	80	70.5	9	3	20.5	17	-
GN 23-100-M10-100-D0-S*	100	M10	100	70.5	9	-	20.5	17	-
GN 23-100-M10-100-D1-S*	100	M10	100	70.5	9	3	20.5	17	-
GN 23-100-M12-60-D0-S*	100	M12	60	70.5	9	-	20.5	17	-
GN 23-100-M12-60-D1-S*	100	M12	60	70.5	9	3	20.5	17	-
GN 23-100-M12-80-D0-S*	100	M12	80	70.5	9	-	20.5	17	-
GN 23-100-M12-80-D1-S*	100	M12	80	70.5	9	3	20.5	17	-
GN 23-100-M12-100-D0-S*	100	M12	100	70.5	9	-	20.5	17	-
GN 23-100-M12-100-D1-S*	100	M12	100	70.5	9	3	20.5	17	-
GN 23-100-M12-125-D0-S*	100	M12	125	70.5	9	-	20.5	17	-
GN 23-100-M12-125-D1-S*	100	M12	125	70.5	9	3	20.5	17	-

* Complete the description of the standard item by adding a "k", if you want to order with locknut.

Standard Elements	Main dimensions								Weight
Description	d ₁	d ₂	l ₁	k	h ₁	h ₂	h ₄	A/F ₂	g
GN 23-80-M16-75-D0-T*	80	M16	75	54.5	8.5	-	25.5	12	-
GN 23-80-M16-75-D1-T*	80	M16	75	54.5	8.5	2	25.5	12	-
GN 23-80-M16-100-D0-T*	80	M16	100	54.5	8.5	-	25.5	12	-
GN 23-80-M16-100-D1-T*	80	M16	100	54.5	8.5	2	25.5	12	-
GN 23-80-M16-125-D0-T*	80	M16	125	54.5	8.5	-	25.5	12	-
GN 23-80-M16-125-D1-T*	80	M16	125	54.5	8.5	2	25.5	12	-
GN 23-80-M16-150-D0-T*	80	M16	150	54.5	8.5	-	25.5	12	-
GN 23-80-M16-150-D1-T*	80	M16	150	54.5	8.5	2	25.5	12	-
GN 23-80-M16-200-D0-T*	80	M16	200	54.5	8.5	-	25.5	12	-
GN 23-80-M16-200-D1-T*	80	M16	200	54.5	8.5	2	25.5	12	-
GN 23-80-M20-75-D0-T*	80	M20	75	54.5	8.5	-	27	15	-
GN 23-80-M20-75-D1-T*	80	M20	75	54.5	8.5	2	27	15	-

GN 23-80-M20-100-D0-T*	80	M20	100	54.5	8.5	-	27	15	-
GN 23-80-M20-100-D1-T*	80	M20	100	54.5	8.5	2	27	15	-
GN 23-80-M20-125-D0-T*	80	M20	125	54.5	8.5	-	27	15	-
GN 23-80-M20-125-D1-T*	80	M20	125	54.5	8.5	2	27	15	-
GN 23-80-M20-150-D0-T*	80	M20	150	54.5	8.5	-	27	15	-
GN 23-80-M20-150-D1-T*	80	M20	150	54.5	8.5	2	27	15	-
GN 23-80-M20-200-D0-T*	80	M20	200	54.5	8.5	-	27	15	-
GN 23-80-M20-200-D1-T*	80	M16	200	54.5	8.5	2	25.5	12	-
GN 23-80-M24-100-D0-T*	80	M24	100	54.5	8.5	-	30.5	19	-
GN 23-80-M24-100-D1-T*	80	M24	100	54.5	8.5	2	30.5	19	-
GN 23-80-M24-125-D0-T*	80	M24	125	54.5	8.5	-	30.5	19	-
GN 23-80-M24-125-D1-T*	80	M24	125	54.5	8.5	2	30.5	19	-
GN 23-80-M24-150-D0-T*	80	M24	150	54.5	8.5	-	30.5	19	-
GN 23-80-M24-150-D1-T*	80	M24	150	54.5	8.5	2	30.5	19	-
GN 23-80-M24-200-D0-T*	80	M24	200	54.5	8.5	-	30.5	19	-
GN 23-80-M24-200-D1-T*	80	M24	200	54.5	8.5	2	30.5	19	-
GN 23-100-M16-75-D0-T*	100	M16	75	70.5	9	-	26.5	12	-
GN 23-100-M16-75-D1-T*	100	M16	75	70.5	9	3	26.5	12	-
GN 23-100-M16-100-D0-T*	100	M16	100	70.5	9	-	26.5	12	-
GN 23-100-M16-100-D1-T*	100	M16	100	70.5	9	3	26.5	12	-
GN 23-100-M16-125-D0-T*	100	M16	125	70.5	9	-	26.5	12	-
GN 23-100-M16-125-D1-T*	100	M16	125	70.5	9	3	26.5	12	-
GN 23-100-M16-150-D0-T*	100	M16	150	70.5	9	-	26.5	12	-
GN 23-100-M16-150-D1-T*	100	M16	150	70.5	9	3	26.5	12	-
GN 23-100-M16-200-D0-T*	100	M16	200	70.5	9	-	26.5	12	-
GN 23-100-M16-200-D1-T*	100	M16	200	70.5	9	3	26.5	12	-
GN 23-100-M20-75-D0-T*	100	M20	75	70.5	9	-	28	15	-
GN 23-100-M20-75-D1-T*	100	M20	75	70.5	9	3	28	15	-
GN 23-100-M20-100-D0-T*	100	M20	100	70.5	9	-	28	15	-
GN 23-100-M20-100-D1-T*	100	M20	100	70.5	9	3	28	15	-
GN 23-100-M20-125-D0-T*	100	M20	125	70.5	9	-	28	15	-
GN 23-100-M20-125-D1-T*	100	M20	125	70.5	9	3	28	15	-
GN 23-100-M20-150-D0-T*	100	M20	150	70.5	9	-	28	15	-
GN 23-100-M20-150-D1-T*	100	M20	150	70.5	9	3	28	15	-
GN 23-100-M20-200-D0-T*	100	M20	200	70.5	9	-	28	15	-
GN 23-100-M20-200-D1-T*	100	M20	200	70.5	9	3	28	15	-
GN 23-100-M24-100-D0-T*	100	M24	100	70.5	9	-	31.5	19	-
GN 23-100-M24-100-D1-T*	100	M24	100	70.5	9	3	31.5	19	-
GN 23-100-M24-125-D0-T*	100	M24	125	70.5	9	-	31.5	19	-
GN 23-100-M24-125-D1-T*	100	M24	125	70.5	9	3	31.5	19	-
GN 23-100-M24-150-D0-T*	100	M24	150	70.5	9	-	31.5	19	-
GN 23-100-M24-150-D1-T*	100	M24	150	70.5	9	3	31.5	19	-
GN 23-100-M24-200-D0-T*	100	M24	200	70.5	9	-	31.5	19	-
GN 23-100-M24-200-D1-T*	100	M24	200	70.5	9	3	31.5	19	-
GN 23-120-M20-100-D0-T*	120	M20	100	95	12	-	32	15	-

GN 23-120-M20-100-D1-T*	120	M20	100	95	12	3	32	15	-
GN 23-120-M20-125-D0-T*	120	M20	125	95	12	-	32	15	-
GN 23-120-M20-125-D1-T*	120	M20	125	95	12	3	32	15	-
GN 23-120-M20-150-D0-T*	120	M20	150	95	12	-	32	15	-
GN 23-120-M20-150-D1-T*	120	M20	150	95	12	3	32	15	-
GN 23-120-M20-200-D0-T*	120	M20	200	95	12	-	32	15	-
GN 23-120-M20-200-D1-T*	120	M20	200	95	12	3	32	15	-
GN 23-120-M24-100-D0-T*	120	M24	100	95	12	-	35.5	19	-
GN 23-120-M24-100-D1-T*	120	M24	100	95	12	3	35.5	19	-
GN 23-120-M24-125-D0-T*	120	M24	125	95	12	-	35.5	19	-
GN 23-120-M24-125-D1-T*	120	M24	125	95	12	3	35.5	19	-
GN 23-120-M24-150-D0-T*	120	M24	150	95	12	-	35.5	19	-
GN 23-120-M24-150-D1-T*	120	M24	150	95	12	3	35.5	19	-
GN 23-120-M24-200-D0-T*	120	M24	200	95	12	-	35.5	19	-
GN 23-120-M24-200-D1-T*	120	M24	200	95	12	3	35.5	18	-
GN 23-120-M30-100-D0-T*	120	M30	100	95	12	-	39.5	24	-
GN 23-120-M30-100-D1-T*	120	M30	100	95	12	3	39.5	24	-
GN 23-120-M30-125-D0-T*	120	M30	125	95	12	-	39.5	24	-
GN 23-120-M30-125-D1-T*	120	M30	125	95	12	3	39.5	24	-
GN 23-120-M30-150-D0-T*	120	M30	150	95	12	-	39.5	24	-
GN 23-120-M30-150-D1-T*	120	M30	150	95	12	3	39.5	24	-

Standard Elements	Main dimensions									Weight
Description	d ₁	d ₂	l ₁	k	h ₁	h ₂	h ₄	A/F ₂	A/F ₃	g
GN 23-80-M16-75-D0-U*	80	M6	75	54.5	8.5	-	25.5	12	8	-
GN 23-80-M16-75-D1-U*	80	M16	75	54.5	8.5	2	25.5	12	8	-
GN 23-80-M16-100-D0-U*	80	M16	100	54.5	8.5	-	25.5	12	8	-
GN 23-80-M16-100-D1-U*	80	M16	100	54.5	8.5	2	25.5	12	8	-
GN 23-80-M16-125-D0-U*	80	M16	125	54.5	8.5	-	25.5	12	8	-
GN 23-80-M16-125-D1-U*	80	M16	125	54.5	8.5	2	25.5	12	8	-
GN 23-80-M16-150-D0-U*	80	M16	150	54.5	8.5	-	25.5	12	8	-
GN 23-80-M16-150-D1-U*	80	M16	150	54.5	8.5	2	25.5	12	8	-
GN 23-80-M16-200-D0-U*	80	M16	200	54.5	8.5	-	25.5	12	8	-
GN 23-80-M16-200-D1-U*	80	M16	200	54.5	8.5	2	25.5	12	8	-
GN 23-80-M20-75-D0-U*	80	M20	75	54.5	8.5	-	27	15	10	-
GN 23-80-M20-75-D1-U*	80	M20	75	54.5	8.5	2	27	15	10	-
GN 23-80-M20-100-D0-U*	80	M20	100	54.5	8.5	-	27	15	10	-
GN 23-80-M20-100-D1-U*	80	M20	100	54.5	8.5	2	27	15	10	-
GN 23-80-M20-125-D0-U*	80	M20	125	54.5	8.5	-	27	15	10	-
GN 23-80-M20-125-D1-U*	80	M20	125	54.5	8.5	2	27	15	10	-
GN 23-80-M20-150-D0-U*	80	M20	150	54.5	8.5	-	27	15	10	-
GN 23-80-M20-150-D1-U*	80	M20	150	54.5	8.5	2	27	15	10	-
GN 23-80-M20-200-D0-U*	80	M20	200	54.5	8.5	-	27	15	10	-
GN 23-80-M20-200-D1-U*	80	M20	200	54.5	8.5	2	27	15	10	-
GN 23-80-M24-100-D0-U*	80	M24	100	54.5	8.5	-	30.5	19	12	-

GN 23-80-M24-100-D1-U*	80	M24	100	54.5	8.5	2	30.5	19	12	-
GN 23-80-M24-125-D0-U*	80	M24	125	54.5	8.5	-	30.5	19	12	-
GN 23-80-M24-125-D1-U*	80	M24	125	54.5	8.5	2	30.5	19	12	-
GN 23-80-M24-150-D0-U*	80	M24	150	54.5	8.5	-	30.5	19	12	-
GN 23-80-M24-150-D1-U*	80	M24	150	54.5	8.5	2	30.5	19	12	-
GN 23-80-M24-200-D0-U*	80	M24	200	54.5	8.5	-	30.5	19	12	-
GN 23-80-M24-200-D1-U*	80	M24	200	54.5	8.5	2	30.5	19	12	-
GN 23-100-M16-75-D0-U*	100	M16	75	70.5	9	-	26.5	12	8	-
GN 23-100-M16-75-D1-U*	100	M16	75	70.5	9	3	26.5	12	8	-
GN 23-100-M16-100-D0-U*	100	M16	100	70.5	9	-	26.5	12	8	-
GN 23-100-M16-100-D1-U*	100	M16	100	70.5	9	3	26.5	12	8	-
GN 23-100-M16-125-D0-U*	100	M16	125	70.5	9	-	26.5	12	8	-
GN 23-100-M16-125-D1-U*	100	M16	125	70.5	9	3	26.5	12	8	-
GN 23-100-M16-150-D0-U*	100	M16	150	70.5	9	-	26.5	12	8	-
GN 23-100-M16-150-D1-U*	100	M16	150	70.5	9	3	26.5	12	8	-
GN 23-100-M16-200-D0-U*	100	M16	200	70.5	9	-	26.5	12	8	-
GN 23-100-M16-200-D1-U*	100	M16	200	70.5	9	3	26.5	12	8	-
GN 23-100-M20-75-D0-U*	100	M20	75	70.5	9	-	28	15	10	-
GN 23-100-M20-75-D1-U*	100	M20	75	70.5	9	3	28	15	10	-
GN 23-100-M20-100-D0-U*	100	M20	100	70.5	9	-	28	15	10	-
GN 23-100-M20-100-D1-U*	100	M20	100	70.5	9	3	28	15	10	-
GN 23-100-M20-125-D0-U*	100	M20	125	70.5	9	-	28	15	10	-
GN 23-100-M20-125-D1-U*	100	M20	125	70.5	9	3	28	15	10	-
GN 23-100-M20-150-D0-U*	100	M20	150	70.5	9	-	28	15	10	-
GN 23-100-M20-150-D1-U*	100	M20	150	70.5	9	3	28	15	10	-
GN 23-100-M20-200-D0-U*	100	M20	200	70.5	9	-	28	15	10	-
GN 23-100-M20-200-D1-U*	100	M20	200	70.5	9	3	28	15	10	-
GN 23-100-M24-100-D0-U*	100	M24	100	70.5	9	-	31.5	19	12	-
GN 23-100-M24-100-D1-U*	100	M24	100	70.5	9	3	31.5	19	12	-
GN 23-100-M24-125-D0-U*	100	M24	125	70.5	9	-	31.5	19	12	-
GN 23-100-M24-125-D1-U*	100	M24	125	70.5	9	3	31.5	19	12	-
GN 23-100-M24-150-D0-U*	100	M24	150	70.5	9	-	31.5	19	12	-
GN 23-100-M24-150-D1-U*	100	M24	150	70.5	9	3	31.5	19	12	-
GN 23-100-M24-200-D0-U*	100	M24	200	70.5	9	-	31.5	19	12	-
GN 23-100-M24-200-D1-U*	100	M24	200	70.5	9	3	31.5	19	12	-
GN 23-120-M20-100-D0-U*	120	M20	100	95	12	-	32	15	10	-
GN 23-120-M20-100-D1-U*	120	M20	100	95	12	3.5	32	15	10	-
GN 23-120-M20-125-D0-U*	120	M20	125	95	12	-	32	15	10	-
GN 23-120-M20-125-D1-U*	120	M20	125	95	12	3.5	32	15	10	-
GN 23-120-M20-150-D0-U*	120	M20	150	95	12	-	32	15	10	-
GN 23-120-M20-150-D1-U*	120	M20	150	95	12	3.5	32	15	10	-
GN 23-120-M20-200-D0-U*	120	M20	200	95	12	-	32	15	10	-
GN 23-120-M20-200-D1-U*	120	M20	200	95	12	3.5	32	15	10	-
GN 23-120-M24-100-D0-U*	120	M24	100	95	12	-	35.5	19	12	-
GN 23-120-M24-100-D1-U*	120	M24	100	95	12	3.5	35.5	19	12	-

GN 23-120-M24-125-D0-U*	120	M24	125	95	12	-	35.5	19	12	-
GN 23-120-M24-125-D1-U*	120	M24	125	95	12	3.5	35.5	19	12	-
GN 23-120-M24-150-D0-U*	120	M24	150	95	12	-	35.5	19	12	-
GN 23-120-M24-150-D1-U*	120	M24	150	95	12	3.5	35.5	19	12	-
GN 23-120-M24-200-D0-U*	120	M24	200	95	12	-	35.5	19	12	-
GN 23-120-M24-200-D1-U*	120	M24	200	95	12	3.5	35.5	19	12	-
GN 23-120-M30-100-D0-U*	120	M30	100	95	12	-	39.5	24	12	-
GN 23-120-M30-100-D1-U*	120	M30	100	95	12	3.5	39.5	24	12	-
GN 23-120-M30-125-D0-U*	120	M30	125	95	12	-	39.5	24	12	-
GN 23-120-M30-125-D1-U*	120	M30	125	95	12	3.5	39.5	24	12	-
GN 23-120-M30-150-D0-U*	120	M30	150	95	12	-	39.5	24	12	-
GN 23-120-M30-150-D1-U*	120	M30	150	95	12	3.5	39.5	24	12	-

* Complete the description of the standard item by adding a "k", if you want to order with locknut.

Standard Elements	Main dimensions									Weight
Description	d ₁	d ₂	l ₂	k	h ₁	h ₂	h ₅	A/F ₄	A/F ₅	g
GN 23-80-M16-75-D0-V*	80	M16	75	54.5	8.5	-	21.5	10	12	-
GN 23-80-M16-75-D1-V*	80	M16	75	54.5	8.5	2	21.5	10	12	-
GN 23-80-M16-100-D0-V*	80	M16	100	54.5	8.5	-	21.5	10	12	-
GN 23-80-M16-100-D1-V*	80	M16	100	54.5	8.5	2	21.5	10	12	-
GN 23-80-M16-125-D0-V*	80	M16	125	54.5	8.5	-	21.5	10	12	-
GN 23-80-M16-125-D1-V*	80	M16	125	54.5	8.5	2	21.5	10	12	-
GN 23-80-M16-150-D0-V*	80	M16	150	54.5	8.5	-	21.5	10	12	-
GN 23-80-M16-150-D1-V*	80	M16	150	54.5	8.5	2	21.5	10	12	-
GN 23-80-M20-100-D0-V*	80	M20	100	54.5	8.5	-	23	13	16	-
GN 23-80-M20-100-D1-V*	80	M20	100	54.5	8.5	2	23	13	16	-
GN 23-80-M20-125-D0-V*	80	M20	125	54.5	8.5	-	23	13	16	-
GN 23-80-M20-125-D1-V*	80	M20	125	54.5	8.5	2	23	13	16	-
GN 23-80-M20-150-D0-V*	80	M20	150	54.5	8.5	-	23	13	16	-
GN 23-80-M20-150-D1-V*	80	M20	150	54.5	8.5	2	23	13	16	-
GN 23-80-M20-200-D0-V*	80	M20	200	54.5	8.5	-	23	13	16	-
GN 23-80-M20-200-D1-V*	80	M20	200	54.5	8.5	2	23	13	16	-
GN 23-80-M24-100-D0-V*	80	M24	100	54.5	8.5	-	26	17	20	-
GN 23-80-M24-100-D1-V*	80	M24	100	54.5	8.5	2	26	17	20	-
GN 23-80-M24-150-D0-V*	80	M24	150	54.5	8.5	-	26	17	20	-
GN 23-80-M24-150-D1-V*	80	M24	150	54.5	8.5	2	26	17	20	-
GN 23-80-M24-200-D0-V*	80	M24	200	54.5	8.5	-	26	17	20	-
GN 23-80-M24-200-D1-V*	80	M24	200	54.5	8.5	2	26	17	20	-
GN 23-100-M16-75-D0-V*	100	M16	75	70.5	9	-	22.5	10	12	-
GN 23-100-M16-75-D1-V*	100	M16	75	70.5	9	3	22.5	10	12	-
GN 23-100-M16-100-D0-V*	100	M16	100	70.5	9	-	22.5	10	12	-
GN 23-100-M16-100-D1-V*	100	M16	100	70.5	9	3	22.5	10	12	-
GN 23-100-M16-125-D0-V*	100	M16	125	70.5	9	-	22.5	10	12	-
GN 23-100-M16-125-D1-V*	100	M16	125	70.5	9	3	22.5	10	12	-
GN 23-100-M16-150-D0-V*	100	M16	150	70.5	9	-	22.5	10	12	-

GN 23-100-M16-150-D1-V*	100	M16	150	70.5	9	3	22.5	10	12	-
GN 23-100-M20-100-D0-V*	100	M20	100	70.5	9	-	24	13	16	-
GN 23-100-M20-100-D1-V*	100	M20	100	70.5	9	3	24	13	16	-
GN 23-100-M20-125-D0-V*	100	M20	125	70.5	9	-	24	13	16	-
GN 23-100-M20-125-D1-V*	100	M20	125	70.5	9	3	24	13	16	-
GN 23-100-M20-150-D0-V*	100	M20	150	70.5	9	-	24	13	16	-
GN 23-100-M20-150-D1-V*	100	M20	150	70.5	9	3	24	13	16	-
GN 23-100-M20-200-D0-V*	100	M20	200	70.5	9	-	24	13	16	-
GN 23-100-M20-200-D1-V*	100	M20	200	70.5	9	3	24	13	16	-
GN 23-100-M24-100-D0-V*	100	M24	100	70.5	9	-	27	17	20	-
GN 23-100-M24-100-D1-V*	100	M24	100	70.5	9	3	27	17	20	-
GN 23-100-M24-150-D0-V*	100	M24	150	70.5	9	-	27	17	20	-
GN 23-100-M24-150-D1-V*	100	M24	150	70.5	9	3	27	17	20	-
GN 23-100-M24-200-D0-V*	100	M24	200	70.5	9	-	27	17	20	-
GN 23-100-M24-200-D1-V*	100	M24	200	70.5	9	3	27	17	20	-

* Complete the description of the standard item by adding a "k", if you want to order with locknut.

Standard Elements	Main dimensions												Weight
Description	d ₁	d ₂	l ₃ -	k	d ₃	h ₁	h ₂	l ₄	l ₅	l ₆	A/F ₅	A/F ₆	g
GN 23-80-M16-118-D0-W	80	M16	118	54.5	24	8.5	-	45	45	32	12	20	-
GN 23-80-M16-118-D1-W	80	M16	118	54.5	24	8.5	2	45	45	32	12	20	-
GN 23-80-M16-143-D0-W	80	M16	143	54.5	24	8.5	-	45	45	32	12	20	-
GN 23-80-M16-143-D1-W	80	M16	143	54.5	24	8.5	2	45	45	32	12	20	-
GN 23-80-M16-168-D0-W	80	M16	168	54.5	24	8.5	-	45	45	32	12	20	-
GN 23-80-M16-168-D1-W	80	M16	168	54.5	24	8.5	2	45	45	32	12	20	-
GN 23-80-M16-193-D0-W	80	M16	193	54.5	24	8.5	-	45	45	32	12	20	-
GN 23-80-M16-193-D1-W	80	M16	193	54.5	24	8.5	2	45	45	32	12	20	-
GN 23-80-M20-143-D0-W	80	M20	143	54.5	30	8.5	-	56	56	40	16	24	-
GN 23-80-M20-143-D1-W	80	M20	143	54.5	30	8.5	2	56	56	40	16	24	-
GN 23-80-M20-168-D0-W	80	M20	168	54.5	30	8.5	-	56	56	40	16	24	-
GN 23-80-M20-168-D1-W	80	M20	168	54.5	30	8.5	2	56	56	40	16	24	-
GN 23-80-M20-193-D0-W	80	M20	193	54.5	30	8.5	-	56	56	40	16	24	-
GN 23-80-M20-194-D1-W	80	M20	194	54.5	30	8.5	2	56	56	40	16	24	-
GN 23-80-M20-243-D0-W	80	M20	243	54.5	30	8.5	-	56	56	40	16	24	-
GN 23-80-M20-243-D1-W	80	M20	243	54.5	30	8.5	2	56	56	40	16	24	-
GN 23-80-M24-168-D0-W	80	M24	168	54.5	35	8.5	-	67	67	48	20	30	-
GN 23-80-M24-168-D1-W	80	M24	168	54.5	35	8.5	2	67	67	48	20	30	-
GN 23-80-M24-218-D0-W	80	M24	218	54.5	35	8.5	-	67	67	48	20	30	-
GN 23-80-M24-218-D1-W	80	M24	218	54.5	35	8.5	2	67	67	48	20	30	-
GN 23-80-M24-268-D0-W	80	M24	268	54.5	35	8.5	-	67	67	48	20	30	-
GN 23-80-M24-268-D1-W	80	M24	268	54.5	35	8.5	2	67	67	48	20	30	-
GN 23-100-M16-119-D0-W	100	M16	119	120.5	24	9	-	45	45	32	12	20	-
GN 23-100-M16-119-D1-W	100	M16	119	70.5	24	9	3	45	45	32	12	20	-
GN 23-100-M16-144-D0-W	100	M16	144	120.5	24	9	-	45	45	32	12	20	-
GN 23-100-M16-144-D1-W	100	M16	144	70.5	24	9	3	45	45	32	12	20	-
GN 23-100-M16-169-D0-W	100	M16	169	70.5	24	9	-	45	45	32	12	20	-

GN 23-100-M16-169-D1-W	100	M16	169	70.5	24	9	3	45	45	32	12	20	-
GN 23-100-M16-194-D0-W	100	M16	194	70.5	24	9	-	45	45	32	12	20	-
GN 23-100-M16-194-D1-W	100	M16	194	70.5	24	9	3	45	45	32	12	20	-
GN 23-100-M20-144-D0-W	100	M20	144	70.5	30	9	-	56	56	40	16	24	-
GN 23-100-M20-144-D1-W	100	M20	144	70.5	30	9	3	56	56	40	16	24	-
GN 23-100-M20-169-D0-W	100	M20	169	70.5	30	9	-	56	56	40	16	24	-
GN 23-100-M20-169-D1-W	100	M20	169	70.5	30	9	3	56	56	40	16	24	-
GN 23-80-M20-194-D0-W	100	M20	194	70.5	30	9	-	56	56	40	16	24	-
GN 23-100-M20-195-D1-W	100	M20	195	70.5	30	9	3	56	56	40	16	24	-
GN 23-100-M20-244-D0-W	100	M20	244	70.5	30	9	-	56	56	40	16	24	-
GN 23-100-M20-244-D1-W	100	M20	244	70.5	30	9	3	56	56	40	16	24	-
GN 23-100-M24-169-D0-W	100	M24	169	70.5	35	9	-	67	67	48	20	30	-
GN 23-100-M24-169-D1-W	100	M24	169	70.5	35	9	3	67	67	48	20	30	-
GN 23-100-M24-219-D0-W	100	M24	219	70.5	35	9	-	67	67	48	20	30	-
GN 23-100-M24-219-D1-W	100	M24	219	70.5	35	9	3	67	67	48	20	30	-
GN 23-100-M24-269-D0-W	100	M24	269	70.5	35	9	-	67	67	48	20	30	-
GN 23-100-M24-269-D1-W	100	M24	269	70.5	35	9	3	67	67	48	20	30	-

Standard Elements			Main dimensions							Weight	
Description	d ₁	d ₂	l ₇	k	h ₁	h ₂	A/F ₇	t	g		
GN 23-80-M8-34-D0-X	80	M8	34	54.5	8.5	-	14	8	-		
GN 23-80-M8-34-D1-X	80	M8	34	54.5	8.5	2	14	8	-		
GN 23-80-M10-37-D0-X	80	M10	37	54.5	8.5	-	14	10	-		
GN 23-80-M10-37-D1-X	80	M10	37	54.5	8.5	2	14	10	-		
GN 23-80-M12-40-D0-X	80	M12	40	54.5	8.5	-	17	12	-		
GN 23-80-M12-40-D1-X	80	M12	40	54.5	8.5	2	17	12	-		
GN 23-80-M16-46-D0-X	80	M16	46	54.5	8.5	-	22	16	-		
GN 23-80-M16-46-D1-X	80	M16	46	54.5	8.5	2	22	16	-		
GN 23-80-M20-54-D0-X	80	M20	54	54.5	8.5	-	27	20	-		
GN 23-80-M20-54-D1-X	80	M20	54	54.5	8.5	2	27	20	-		
GN 23-100-M8-35-D0-X	100	M8	35	70.5	9	-	14	8	-		
GN 23-100-M8-35-D1-X	100	M8	35	70.5	9	3	14	8	-		
GN 23-100-M10-38-D0-X	100	M10	38	70.5	9	-	14	10	-		
GN 23-100-M10-38-D1-X	100	M10	38	70.5	9	3	14	10	-		
GN 23-100-M12-41-D0-X	100	M12	41	70.5	9	-	17	12	-		
GN 23-100-M12-41-D1-X	100	M12	41	70.5	9	3	17	12	-		
GN 23-100-M16-47-D0-X	100	M16	47	70.5	9	-	22	16	-		
GN 23-100-M16-47-D1-X	100	M16	47	70.5	9	3	22	16	-		
GN 23-100-M20-55-D0-X	100	M20	55	70.5	9	-	27	20	-		
GN 23-100-M20-55-D1-X	100	M20	55	70.5	9	3	27	20	-		
GN 23-120-M20-59-D0-X	120	M20	59	95	12	-	27	20	-		
GN 23-120-M20-59-D1-X	120	M20	59	95	12	3.5	27	20	-		

