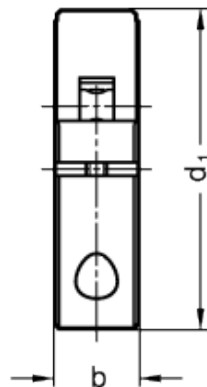
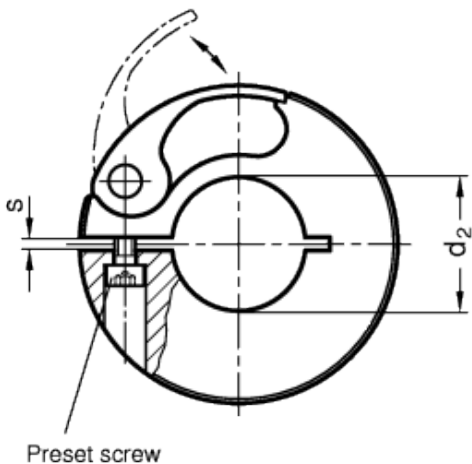


GN 704

Quick release set collars



technical informations

Ring

Aluminium, black anodised.

Lever

Aluminium, yellow anodised.

Features and applications

The force lock with the shaft is made in the GN 704 quick release set collars via an eccentric lever which allows the collars to be adjusted easily and quickly without tools. The aluminium design delivers low inertia values.

The specified tightening torque of the screw is a recommended value with which the collar clamped to a shaft (with closed eccentric lever) is capable of reaching the specified axial load capacity. The details on axial load capacity are non-binding guidance values and do not constitute a warranty of characteristics.

Keeping the friction surface of the eccentric lever slightly greased will help to prolong the useful service life.

Description	d ₁	d ₂	b	s	Tightenning torque in Nm ≈	Axial load in N ≈	g
GN 704-38-B6	38	6	10	1.5	0.5	130	27
GN 704-38-B8	38	8	10	1.5	0.5	130	25
GN 704-38-B10	38	10	10	1.5	0.5	150	25
GN 704-38-B12	38	12	10	1.5	0.5	160	24
GN 704-38-B14	38	14	10	1.5	0.5	180	23
GN 704-38-B15	38	15	10	1.5	0.5	220	22
GN 704-38-B16	38	16	10	1.5	0.5	260	22
GN 704-50-B20	50	20	13	1.5	0.7	310	55
GN 704-50-B25	50	25	13	1.5	0.7	400	49
GN 704-50-B28	50	28	13	1.5	0.7	450	45
GN 704-50-B30	50	30	13	1.5	0.7	450	42
GN 704-75-B32	75	32	15	1.5	1.5	460	125
GN 704-75-B35	75	35	15	1.5	1.5	480	119
GN 704-75-B38	75	38	15	1.5	1.5	530	113



ELESA and GANTER models all rights reserved in accordance with the law. Always mention the source when reproducing our drawings.

STANDARD MACHINE ELEMENTS WORLDWIDE