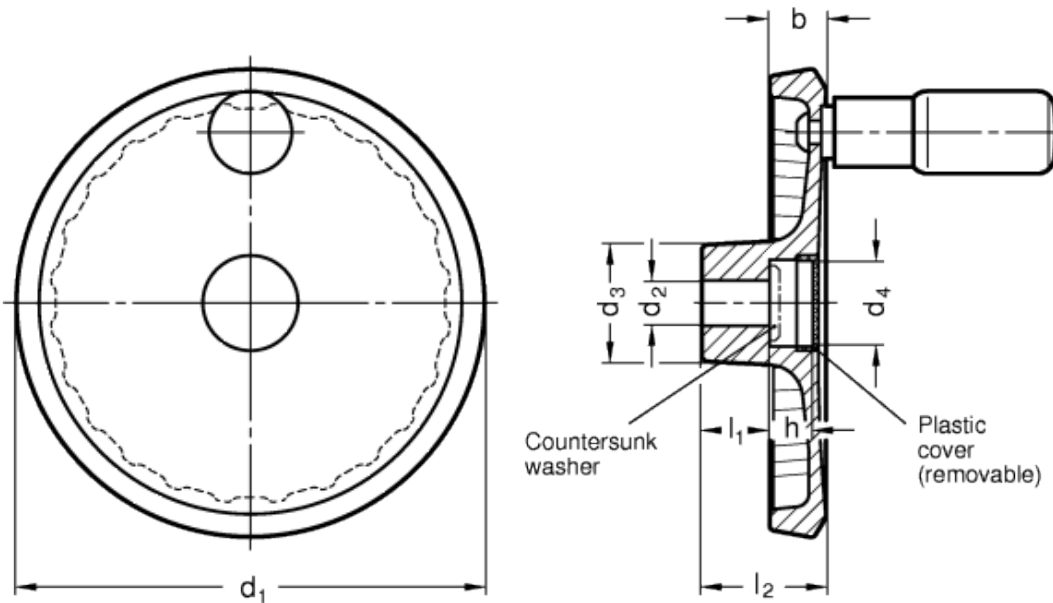


GN 923-R

Solid handwheels with revolving handle



technical informations

Material

Aluminium pressure die casting, hub machined, rim turned.

Colour

- Version SW: plastic coated, black RAL 9005, textured finish.
- Version SR: plastic coated, silver RAL 9006, textured finish.

Assembly

- Version B: hub with H7 tolerance plain hole.
- Version K: hub with H7 reamed hole with keyway in compliance with [DIN 6885/1 P9 tolerance](#).

For fixing GN 923 on shafts by a grub screw see [Technical Data](#).

Plastic cover

Polyamide based (PA) technopolymer, light-grey colour, push-fit assembly

Revolving handle

Type GN 798 in polyamide based (PA) technopolymer, black colour, matte finish. Resistant to solvents, oils, greases and other chemical agents. The two-volume special design of the handle provides the operator's hand with a safe and ergonomic grip when turning the handwheel.

Accessories on request

Axial retaining washer [GN 184](#).

Features and applications

Solid handwheels GN 923 are distinguished by modern design. The removable plastic cover shrouds the fixing components such as screws, countersunk washers as well as the shaft end

Technical data

Axial and radial runout lower than 0.4.

Standard Elements	Main dimensions						Bore		Handle	Recommended washer	Weight g	
	Description	d ₁	d ₃	d ₄	b	h	l ₂ ≈	d ₂ H7	l ₁			Ø
GN 923-80-B10-R-*	80	26	17	13	7	26	10	16	16	16	GN 184-16	120
GN 923-80-K10-R-*	80	26	17	13	7	26	10	16	16	16	GN 184-16	118
GN 923-80-B12-R-*	80	26	17	13	7	26	12	16	16	16	GN 184-16	118
GN 923-80-K12-R-*	80	26	17	13	7	26	12	16	16	16	GN 184-16	116
GN 923-100-B10-R-*	100	28	22	14	9.5	30	10	17	18	18	GN 184-20	200
GN 923-100-K10-R-*	100	28	22	14	9.5	30	10	17	18	18	GN 184-20	190
GN 923-100-B12-R-*	100	28	22	14	9.5	30	12	17	18	18	GN 184-20	190
GN 923-100-K12-R-*	100	28	22	14	9.5	30	12	17	18	18	GN 184-20	180
GN 923-125-B12-R-*	125	31	22	15	11	33	12	18	22	22	GN 184-20	340
GN 923-125-K12-R-*	125	31	22	15	11	33	12	18	22	22	GN 184-20	330
GN 923-125-B14-R-*	125	31	22	15	11	33	14	18	22	22	GN 184-20	250
GN 923-125-K14-R-*	125	31	22	15	11	33	14	18	22	22	GN 184-20	330
GN 923-140-B14-R-*	140	36	28.5	16.5	13	36	14	19	24	24	GN 184-25	420
GN 923-140-K14-R-*	140	36	28.5	16.5	13	36	14	19	24	24	GN 184-25	410
GN 923-140-B16-R-*	140	36	28.5	16.5	13	36	16	19	24	24	GN 184-25	420
GN 923-140-K16-R-*	140	36	28.5	16.5	13	36	16	19	24	24	GN 184-25	410
GN 923-160-B14-R-*	160	36	28.5	18	14.5	39	14	20	24	24	GN 184-25	560
GN 923-160-K14-R-*	160	36	28.5	18	14.5	39	14	20	24	24	GN 184-25	550
GN 923-160-B16-R-*	160	36	28.5	18	14.5	39	16	20	24	24	GN 184-25	560
GN 923-160-K16-R-*	160	36	28.5	18	14.5	39	16	20	24	24	GN 184-25	550
GN 923-200-B18-R-*	200	42	36	20.5	16	45	18	24	25	25	GN 184-32	880
GN 923-200-K18-R-*	200	42	36	20.5	16	45	18	24	25	25	GN 184-32	870
GN 923-200-B20-R-*	200	42	36	20.5	16	45	20	24	25	25	GN 184-32	880
GN 923-200-K20-R-*	200	42	36	20.5	16	45	20	24	25	25	GN 184-32	870

* Complete the description of the standard item needed by adding the colour of the handwheel: SW (black) or SR (silver).

This product had the following design awards:



STANDARD MACHINE ELEMENTS WORLDWIDE