

Spacer sleeves for ETH.35 tubular handles

Technopolymer

MATERIAL

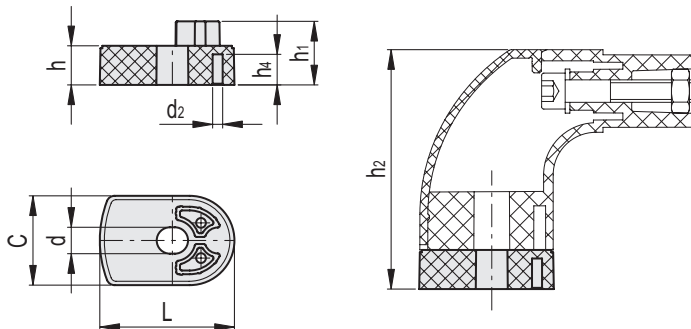
Glass-fibre reinforced polyamide based (PA) technopolymer, black colour or white similar to RAL 9002 (CLEAN), matte finish.

FEATURES AND APPLICATIONS

Spacer sleeves for ETH tubular handles have been designed to increase the distance between the handle and the fitting surface.



ERGOSTYLE®



Code	Description	Code	Description	L	d	h	h1	h2	h4	d2	C	△
15251	DS-ETH.35-16	15256	DS-ETH.35-16-CLEAN	55.5	11	16	26	101.5	12.5	4	37	24
15253	DS-ETH.35-32	15258	DS-ETH.35-32-CLEAN	55.5	11	32.5	42.5	118	15	4	37	44