

## Detent hinges

### Technopolymer

#### MATERIAL

Glass-fibre reinforced polyamide based (PA) technopolymer body, black colour, matte finish, UV resistant.

#### SPRINGS

Stainless steel.

#### STANDARD EXECUTIONS

Assembly by means of pass-through holes for M5 cylindrical head screws.

Without screw-covers.

- **CFVT-CH**: without detent (free rotation).
- **CFVT-CH-80**: detent with angle  $-70^\circ / -7^\circ / 80^\circ$ , resistant torque 0.7 Nm or 1.2 Nm or 1.7 Nm.
- **CFVT-CH-115**: detent with angle  $-70^\circ / -7^\circ / 115^\circ$ , resistant torque 0.7 Nm or 1.2 Nm or 1.7 Nm.
- **CFVT-CH-150**: detent with angle  $-70^\circ / -7^\circ / 150^\circ$ , resistant torque 0.7 Nm or 1.2 Nm or 1.7 Nm.

#### SCREW-COVER (ACCESSORY TO BE ORDERED SEPARATELY).

Polyester based (PBT) technopolymer, black colour, matte finish, easy detent assembly. (see table CA.CFVT.)



ELESA Original design

| Code   | Description   | Cap for |
|--------|---------------|---------|
| 427702 | CA.CFVT.53-C9 | CFVT.53 |

#### ROTATION ANGLE (APPROXIMATE VALUE)

Max rotation angle: about  $255^\circ$  ( $-75^\circ$  and  $+180^\circ$  being  $0^\circ$  the condition where the two interconnected surfaces are on the same plane).  
Do not exceed the rotation angle limit so as not to prejudice the hinge mechanical performance.

#### RESISTANT TORQUE

The resistant torque corresponds to the torque that must be applied to free the detent hinge.  
The hinge has been tested with more than 20.000 opening and closing cycles and the values of the resistant torque were unchanged.

#### FEATURES AND APPLICATIONS

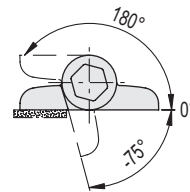
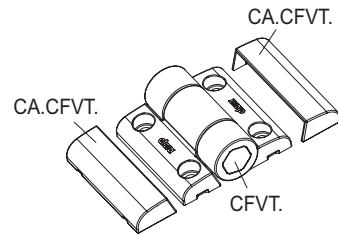
The internal detent device (ELESA patent) allows three different detent positions of the door depending on the execution.  
When the hinge is in a range of  $\pm 25^\circ$  with respect to a detent position, it reaches one of these positions (Fig.1) thanks to the internal device.

Value detected in special tests without load application.

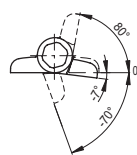
To choose the convenient type and the right number of hinges for your application, see the Guidelines (see page 952).

#### ACCESSORIES ON REQUEST

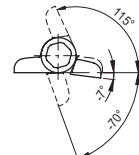
Polyester based (PBT) technopolymer screw-covers, black colour, matte finish, easy snap-in assembly. (see table CA.CFVT.)



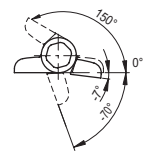
CFVT-CH-80



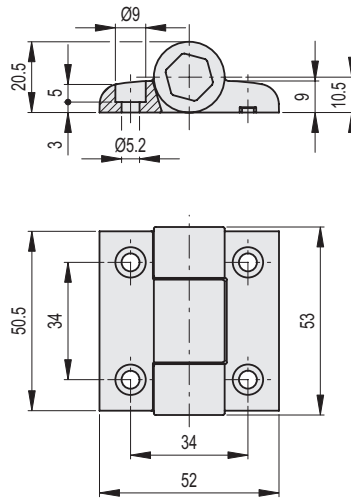
CFVT-CH-115



CFVT-CH-150



| Resistance tests | AXIAL STRESS                |                         | RADIAL STRESS               |                         | 90° ANGLED STRESS            |                          |
|------------------|-----------------------------|-------------------------|-----------------------------|-------------------------|------------------------------|--------------------------|
|                  | Maximum working load Ea [N] | Load at breakage Ra [N] | Maximum working load Er [N] | Load at breakage Rr [N] | Maximum working load E90 [N] | Load at breakage R90 [N] |
| CFVT             | 400                         | 2100                    | 400                         | 1900                    | 250                          | 1800                     |



| Code   | Description          | Detent angle      | Resistant torque*<br>[Nm] | C#<br>[Nm] | ⚖️ |
|--------|----------------------|-------------------|---------------------------|------------|----|
| 427701 | CFVT.53 CH-5         | -                 | -                         | 4          | 32 |
| 427704 | CFVT.53 CH-5-80-0.7  | -70° / 0° / +80°  | 0.7                       | 4          | 34 |
| 427706 | CFVT.53 CH-5-80-1.1  | -70° / 0° / +80°  | 1.1                       | 4          | 34 |
| 427708 | CFVT.53 CH-5-80-1.7  | -70° / 0° / +80°  | 1.7                       | 4          | 34 |
| 427714 | CFVT.53 CH-5-115-0.7 | -70° / 0° / +115° | 0.7                       | 4          | 34 |
| 427716 | CFVT.53 CH-5-115-1.1 | -70° / 0° / +115° | 1.1                       | 4          | 34 |
| 427718 | CFVT.53 CH-5-115-1.7 | -70° / 0° / +115° | 1.7                       | 4          | 34 |
| 427724 | CFVT.53 CH-5-150-0.7 | -70° / 0° / +150° | 0.7                       | 4          | 34 |
| 427726 | CFVT.53 CH-5-150-1.1 | -70° / 0° / +150° | 1.1                       | 4          | 34 |
| 427728 | CFVT.53 CH-5-150-1.7 | -70° / 0° / +150° | 1.7                       | 4          | 34 |

\* Torque to be applied to free the detent device of the hinge with tolerance ± 20%

# Suggested torque for screw assembly.

