

Lead screw nuts

Trapezoidal thread, technopolymer

STANDARD EXECUTIONS

Flanged nut with single-start trapezoidal thread, right-hand tightening direction.

- **NSF-W**: polyamide-based self-lubricating technopolymer, beige colour.
- **NSF-F**: acetal resin based self-lubricating technopolymer, produced from FDA compliant raw material (FDA EU 10/2011), white colour.

FEATURES AND APPLICATIONS

Together with NSL screws, NSF nuts form a system for converting rotation into linear motion (see Fig. 1).

The self-lubricating technopolymer structure ensures maximum cleanliness as it does not require lubrication with oils and greases.

They are often used in the packaging sector.

Thanks to the high wear resistance of the material, NSF-W nuts are particularly suitable for use in the presence of processing residues and dust such as those coming from woodworking machines and laboratory instruments.

Thanks to its material that has been approved for contact with food (FDA EU 10/2011), NSF-F nuts are particularly suitable for use in the food and pharmaceutical industries.

To complete the system, position indicators and handwheels can also be integrated (see Fig. 1).

ACCESSORIES ON REQUEST

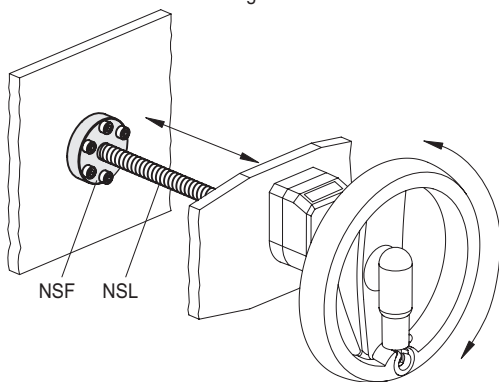
NSL: screws for NSF.

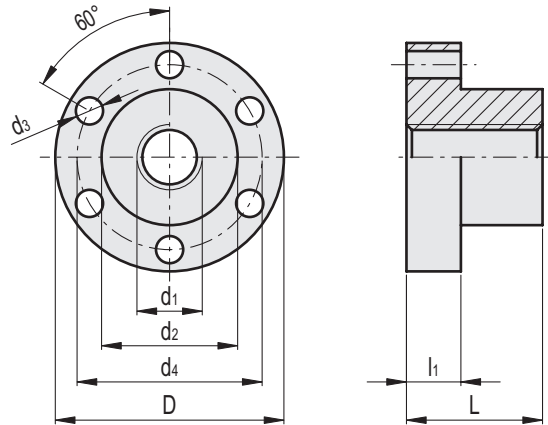
SPECIAL EXECUTIONS ON REQUEST

- Nuts with different sizes and threads.
- Nuts in high temperature resistant technopolymer.
- Nuts with left-hand tightening direction.
- Nuts with multi-start threads.



Fig.1





NSF-W

Code	Description	d1	D	L	d2	d3	d4	l1	Support surface mm ²	Static axial load kN	Efficiency η	C# [Nm]	⚖
470391	NSF-10x2-R-W	TR 10x2	42	25	25	5	34	10	353	1.8	20 ÷ 34	2.5	24
470393	NSF-10x3-R-W	TR 10x3	42	25	25	5	34	10	334	1.7	27 ÷ 44	2.5	24
470395	NSF-12x3-R-W	TR 12x3	48	35	28	6	38	12	577	2.9	24 ÷ 39	2.5	40
470397	NSF-14x3-R-W	TR 14x3	48	35	28	6	38	12	687	3.4	21 ÷ 36	2.5	37
470399	NSF-14x4-R-W	TR 14x4	48	35	28	6	38	12	660	3.3	26 ÷ 43	2.5	37
470401	NSF-16x2-R-W	TR 16x2	48	35	28	6	38	12	825	4.1	14 ÷ 25	2.5	35
470403	NSF-16x4-R-W	TR 16x4	48	35	28	6	38	12	770	3.8	24 ÷ 39	2.5	35
470405	NSF-18x4-R-W	TR 18x4	48	35	28	6	38	12	880	4.4	22 ÷ 37	2.5	33
470407	NSF-20x4-R-W	TR 20x4	55	44	32	7	45	12	1244	6.2	20 ÷ 34	2.5	50
470409	NSF-24x5-R-W	TR 24x5	55	44	32	7	45	14	1486	7.4	21 ÷ 35	2.5	42
470411	NSF-26x5-R-W	TR 26x5	62	46	38	7	50	14	1698	6.3	19 ÷ 34	2.5	67
470413	NSF-28x5-R-W	TR 28x5	62	46	38	7	50	14	1843	4.5	18 ÷ 32	2.5	62
470415	NSF-30x6-R-W	TR 30x6	62	46	38	7	50	14	1951	3.5	20 ÷ 34	2.5	57

NSF-F

Code	Description	d1	D	L	d2	d3	d4	l1	Support surface mm ²	Static axial load kN	Efficiency η	C# [Nm]	⚖
470361	NSF-10x2-R-F	TR 10x2	42	25	25	5	34	10	353	1.2	20 ÷ 30	2.5	28
470363	NSF-10x3-R-F	TR 10x3	42	25	25	5	34	10	334	1.1	27 ÷ 38	2.5	28
470365	NSF-12x3-R-F	TR 12x3	48	35	28	6	38	12	577	2	24 ÷ 44	2.5	46
470367	NSF-14x3-R-F	TR 14x3	48	35	28	6	38	12	687	2.4	21 ÷ 31	2.5	44
470369	NSF-14x4-R-F	TR 14x4	48	35	28	6	38	12	660	2.3	26 ÷ 47	2.5	44
470371	NSF-16x2-R-F	TR 16x2	48	35	28	6	38	12	825	2.9	14 ÷ 21	2.5	42
470373	NSF-16x4-R-F	TR 16x4	48	35	28	6	38	12	770	2.6	24 ÷ 34	2.5	42
470375	NSF-18x4-R-F	TR 18x4	48	35	28	6	38	12	880	3	22 ÷ 32	2.5	39
470377	NSF-20x4-R-F	TR 20x4	55	44	32	7	45	12	1244	4.3	20 ÷ 30	2.5	59
470379	NSF-24x5-R-F	TR 24x5	55	44	32	7	45	14	1486	5.2	21 ÷ 30	2.5	50
470381	NSF-26x5-R-F	TR 26x5	62	46	38	7	50	14	1698	6.3	19 ÷ 29	2.5	79
470383	NSF-28x5-R-F	TR 28x5	62	46	38	7	50	14	1843	4.5	18 ÷ 27	2.5	73
470385	NSF-30x6-R-F	TR 30x6	62	46	38	7	50	14	1951	3.5	20 ÷ 30	2.5	67

Maximum suggested torque for screw tightening.



Machine elements