

Tubular handles

Oval cross section, technopolymer and aluminium, easy cleaning

HANDLE SHANKS

Glass-fibre reinforced polyamide based (PA) technopolymer, white colour similar to RAL 9002, matte finish.

COVERS

ECA.V: Polyamide based (PA) technopolymer, white colour similar to RAL 9002, glossy finish, press-fit assembly. Supplied, removable by a screwdriver.

Available also as accessory sold separately (see table).

STANDARD EXECUTION

Pass-through holes for cylindrical-head screws with hexagon socket, hexagonal-head screws or standard lock nuts.

Aluminium tube, coating in white colour similar to RAL 9002, glossy finish.

Suggested tightening torque:

- back mounting with plain holes: 8 [Nm]
- front mounting with plain or tapped holes: 15 [Nm].

ERGONOMY AND DESIGN

The large diameter of the tube offers a good and comfortable grip.

ERGOSTYLE® ELESA Original design

TECHNICAL DATA

Tensile stress: F2 values reported in the table are the result of breaking tests carried out with the appropriate dynamometric equipment under the test conditions shown in the figure with ambient temperature.

SPECIAL EXECUTIONS ON REQUEST

Different lengths.

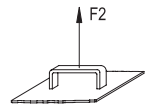
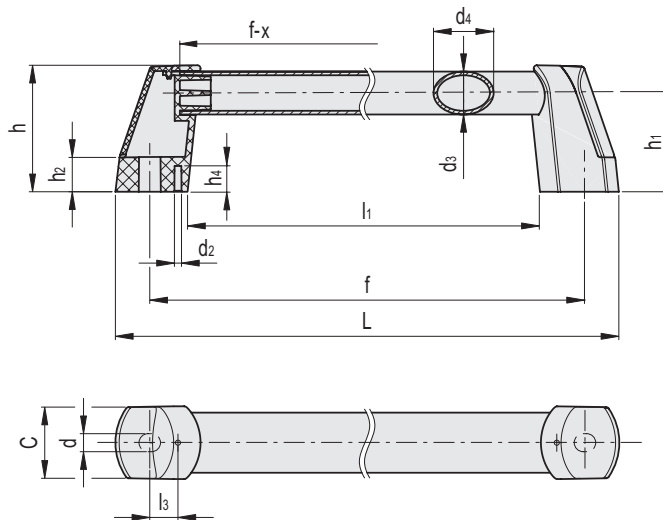


ACCESSORIES ON REQUEST

ECA.V: polyamide based (PA) technopolymer closing caps, white similar to RAL 9002 (CLEAN), glossy finish, press-fit assembly.

ECA.V

| Code | Description | Cover for |
|-------|-------------|-----------|
| 29873 | ECA.V-CLEAN | EVH-CLEAN |



| Code | Description | d2 | d3 | f±1 | L | d | d4 | h | h1 | h2 | h4 | l1 | l3 | C | x | F2 [N]* | F2 [N]# | ⚖️ |
|--------|---------------|----|----|-----|-----|------|----|----|------|----|----|-----|------|------|----|---------|---------|-----|
| 150811 | EVH.300-CLEAN | 4 | 25 | 300 | 340 | 10.5 | 35 | 74 | 57.5 | 20 | 15 | 256 | 16.4 | 42.5 | 35 | 3200 | 4200 | 235 |
| 150813 | EVH.350-CLEAN | 4 | 25 | 350 | 390 | 10.5 | 35 | 74 | 57.5 | 20 | 15 | 306 | 16.4 | 42.5 | 35 | 3000 | 3500 | 268 |
| 150815 | EVH.400-CLEAN | 4 | 25 | 400 | 440 | 10.5 | 35 | 74 | 57.5 | 28 | 15 | 356 | 16.4 | 42.5 | 35 | 2700 | 3100 | 456 |
| 150817 | EVH.500-CLEAN | 4 | 25 | 500 | 540 | 10.5 | 35 | 74 | 57.5 | 20 | 15 | 456 | 16.4 | 42.5 | 35 | 2100 | 2400 | 301 |
| 150819 | EVH.600-CLEAN | 4 | 25 | 600 | 640 | 10.5 | 35 | 74 | 57.5 | 20 | 15 | 556 | 16.4 | 42.5 | 35 | 1300 | 1900 | 335 |
| 150821 | EVH.700-CLEAN | 4 | 25 | 700 | 740 | 10.5 | 35 | 74 | 57.5 | 20 | 15 | 656 | 16.4 | 42.5 | 35 | 1200 | 1600 | 368 |

* Maximum working load

Load at breakage